



REQUEST

CULTIVATION ENVIRONMENT DESIGN

CED FORM REQUIREMENTS

In order for BioTherm to provide an accurate project proposal, the following information needs to be filled out before submission.

- FORM 100% COMPLETED
- DRAWINGS
- STRUCTURE INFORMATION
- ITEMS WITH AN * ARE ABSOLUTELY MANDATORY

GENERAL INFORMATION

Company: _____

Name: _____

Phone: _____

Email: _____

Address:

Project name and Location:

BIOThERM'S 3 DESIGN SYSTEMS

We offer designs for three main system types:

HEATING

Choose a BioTherm heating system.

Fill out this section.

HYDRO SCIENCES

- TOOB Dissolved Oxygen Infusion
- Irrigation Tempering
- Subirrigation Floor Systems

Fill out this section.

OPTIMIZED AIR

- Air Conditioning
- Dehumidification
- CO2 Enrichment

Fill out this section.

CROP INFORMATION

Is this for Greenhouse OR Indoor Cultivation

Crops Grown: _____

Cultivation Method:

- Containers (pots, bags, flats)
Min. Container Size: _____
- Nutrient Film Technique
- Media beds
- Deep Water Culture

Growing surface:

- Benches: Stationary Gutters Mobile Trays Troughs Rolling
- Bench surface:
 Expanded metal Ebb & Flow trays
 Wire mesh Wood
 Other _____

– OR –

Floor:

- Concrete
- Gravel/Sand
- Rafts in ponds

*** Current Control System:**

None Agrowtek Argus Hortimax Link4 Microgrow Priva Wadsworth Other _____

Air Movement

Circulation fans: HAF VAF Other _____

UTILITIES

*** Natural gas Liquid propane Electric Other (biomass, waste heat, etc). Describe: _____**

Electrical service: Voltage: _____ Amperage _____ Phase _____

STRUCTURE INFORMATION

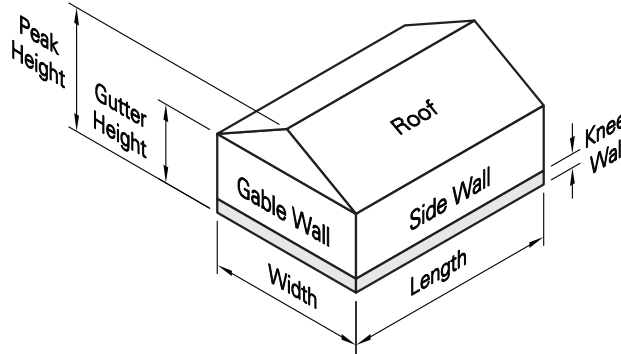
Greenhouse Manufacturer: _____

Using the lists and diagrams below, indicate dimensions and glazings/coverings for your project.

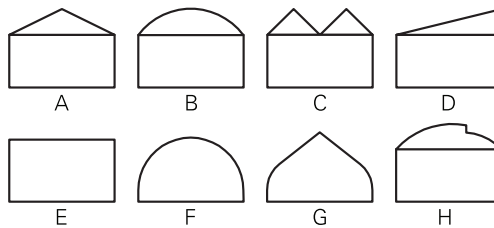
Your Project:

<input type="checkbox"/> New <input type="checkbox"/> Existing				
House	1	2	3	4
Number of ranges:				
Bays per range:				
Gutter height (ft):				
Knee wall height (ft):				
Bay width (ft):				
Bay length (ft):				
Peak height (ft):				
Structure type*:				
Glazing/Covering (from list)				
Side wall:				
Gable wall:				
Roof:				
Kneewall:				

Greenhouse Elements:



***Structure Types:**



Glazing/Covering List:

1. Polyethylene Film, Single
2. Polyethylene Film, Double
3. Acrylic Film, Double
4. Polycarbonate Sheet, 16mm
5. Polycarbonate Sheet, 8mm
6. Polycarbonate Sheet, 6mm
7. Polycarbonate Sheet, Triple Wall
8. Polycarbonate Sheet, Corrugated
9. Fiberglass
10. Glass, Sealed
11. Glass, Lap
12. Concrete, 4"
13. Concrete, 8"
14. Concrete, Block
15. Wood
16. Metal
17. Insulated (R-Value)
18. Other: _____

Shade Curtains/Blackout System:

Please describe any exterior, thermal, or light deprivation curtain systems to be used:

Exterior shade curtain (%): _____ Interior shade curtain (%): _____

Make and Model of Shade Curtain _____

*** SITE SKETCH CHECKLIST**

On the following page, please provide a sketch of your facility so we know where to place your equipment and can accurately determine material quantities. For complex sites please provide additional sketches. If indoor cultivation, please provide planset and specs of the building you intend to grow in. Please provide photos to help us understand your needs.

Please sketch your site, including:

- Structure footprint and dimensions
- Aisles and walkways (locations and sizes)
- Bed or bench dimensions
- Control zones required
- Boiler/Mechanical room desired
- Indication of existing and retrofit items
- North arrow
- Doors
- Utility locations
- Water system (storage and fertigation)

SITE SKETCH

Please use checklist on previous page to guide you.



HEATING SYSTEM REQUIREMENTS

BioTherm's high-tech, efficient heating systems save fuel costs while maintaining optimal temperatures in your growing environment.

Temperature Parameters

* Min. outside temp (°F): _____

* Desired inside temp (°F): _____

* Desired media temp (°F): _____

Air temperature current system will maintain (°F): _____

Heating

Is there an existing heating system? Boiler Unit heater

BTUH capacity of existing system: _____

* Zones

How many zones should we design? _____

Request for Supplemental Rootzone Heating System? Yes No

HEATING SYSTEMS

What heating systems are you interested in?

Under bench



On floor (Roll'N Grow)



Perimeter heating



In-bench



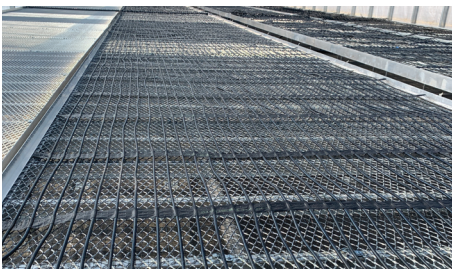
Bed heat



In-crop



On-bench (Roll'N Grow)



Space heating



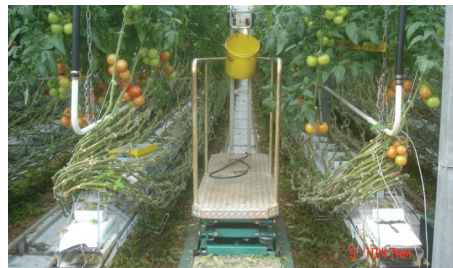
Boom supports



In-floor concrete



Cart-rail



Canopy



Use the sketch page to guide us.

HYDRO SCIENCE SYSTEM REQUIREMENTS

BioTherm Hydro Sciences has one simple focus: to enhance your irrigation system and boost plant growth using cutting-edge technologies.

What type of hydro science system would you like us to design for you?

Dissolved Oxygen Infusion

Irrigation Tempering

Subirrigation Floor System



Dissolved oxygen decreases soil-borne disease pressure. Anti-biofouling properties to keep irrigation lines clean.



Watering with tempered water prevents thermal shock, helps increase rooting and germination rates.



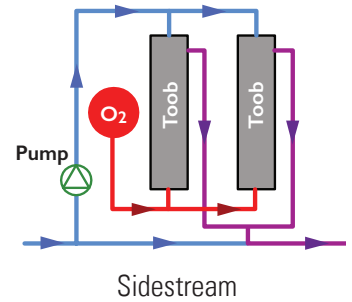
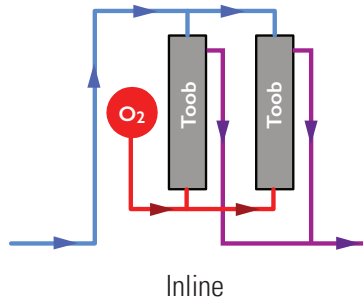
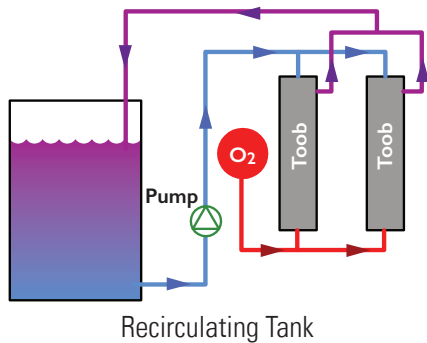
Flood and Cascade floor systems save water, energy, fertilizer, and reduce labor costs by up to 95%.

DISSOLVED OXYGEN INFUSION SYSTEMS

TOOB® Dissolved Oxygen System Design Conditions

TOOB infusers can be installed in different configurations to boost dissolved oxygen levels in your irrigation water.

Which type of configuration would you like us to design for you?



* Grow medium: Soil Hydroponic Aeroponic Aquaponic Other: _____

Starting dissolved oxygen level (ppm): _____

* Desired dissolved oxygen level (ppm): _____ (if unsure, we will guide you based on your type of growing)

* Water flow rate (gpm): _____

Does water pressure exceed 40 PSIG? Yes No

If yes, max pressure: _____

Irrigation Cycle Time: Start _____

Stop _____

Irrigation Water Storage

Tank capacity (gal): _____

Is water recirculated? Yes No

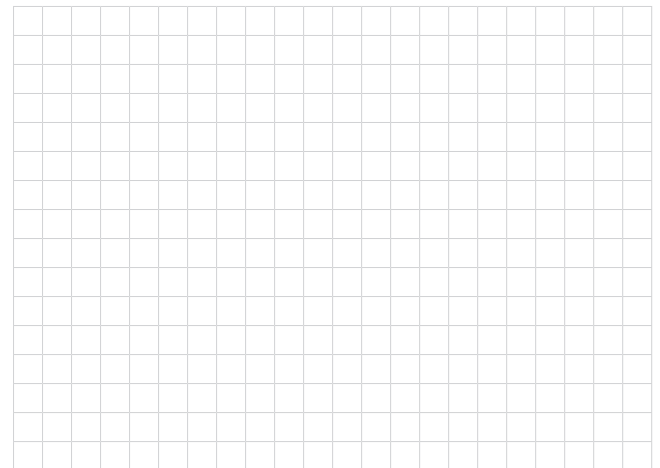
Are tanks hydraulically connected? Yes No

* Fresh-water refill flow rate (gpm): _____

If refill rate is unknown, what is the pipe size? _____

* Do you run out of water after maximum irrigation cycle? _____

Please provide a simplified sketch outlining the major components (tanks, pumps, fertigation, water source, etc.) and how they are connected. Use the sketch area below.



IRRIGATION TEMPERING SYSTEMS

Irrigation Tempering Design Conditions

Irrigation temperature plays a key role in plant health. Studies show that plants irrigated with water that is too cold essentially stop growing until the soil temperature stabilizes. The same is true with irrigating with water that is too hot. Our irrigation tempering systems are proven and reliable and help you deliver the optimum temperature irrigation to your crop.

How would you like your irrigation water tempered? Warm Cool Both

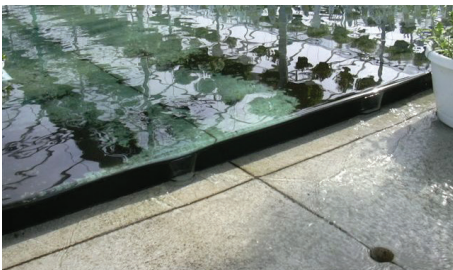
- * Flow Rate (gpm): _____ * Starting temperature (°F): _____ Any additional details: _____
 * Usage (min/hour): _____ * Desired temperature (°F): _____ * Please provide a simple sketch on page 3.

SUBIRRIGATION SYSTEMS

What type of Subirrigation Floor System would you like us to design for you?

Flood Floor (fill and drain)

Cascade Floor (constant "skim" flow)



Please provide a dimensional sketch on page 3.

Flood Floor and Cascade Floor Design Conditions

Flood Floor systems have been a vital tool of top growers for decades. Labor and water savings are only a couple of the many advantages they offer. Cascade floors are based on the same technology, but the water "cascades" across the floor, irrigating all plants on a flat, slightly pitched floor, delivering even more precise irrigation.

I would like to Retrofit an existing structure New construction at new facility Expansion of existing facility

Recirculating Irrigation System Design Conditions

Floor: Length (ft) _____ Width (ft) _____ Quantity _____ Slope: "V" "W"

Max watering time (min): Per floor: _____ Per system: _____

Water depth required (in): _____

Water Storage for Subirrigation

Number of tanks: _____

In Ground: Above Ground

Tank location: _____

OPTIMIZED AIR SYSTEM REQUIREMENTS

Controlling relative humidity and air temperature is vital to managing Vapor Pressure Deficit (VPD) and controlling pathogens. CO2 Enrichment can increase photosynthetic activity by 30% and reduce supplemental lighting hours.

What type of air system would you like us to design for you?

Air Conditioning



Optimize climate control in your greenhouse with air conditioning solutions for ideal growing conditions.

Dehumidification



Standalone and large-capacity dehumidifiers designed for CEA.

CO2 Enrichment



CO2 systems use boiler exhaust to supplement the levels of CO2 in a greenhouse.

How do you irrigate? _____

AC/DEHU SYSTEMS

AC/Dehumidification Design Conditions

Crop Type:

* Target VPD:

* Day setpoint temperature (%):

* Day setpoint relative humidity (%):

* Night setpoint temperature (%):

* Night setpoint relative humidity (%):

* Irrigation water input per bay (gal/day):

Irrigation drain to waste (%):

Plant count:

Shade curtain energy savings %

* Lights per room:

* Wattage per light:

	Zone 1	Zone 2	Zone 3

* Dehumidification period:

Night Day Both

* Air Handling Units

Where do we have space?

Is this going to be an under-bench or overhead polytube application with custom BioTherm AHUs in a corridor?

If no corridor, are you ok with hanging AHUs at the gutter level inside the grow space?

CO2 ENRICHMENT SYSTEMS

CO2 Enrichment Design Conditions

CO2 systems use boiler exhaust to supplement the levels of CO2 in a greenhouse.

CO2 level desired (ppm): _____

Construction: Existing New New w/future expansion

Excess Heat: Store Discard (cooling tower)

Zones: Quantity _____ (Show on sketch, page 3)

AIR MOVEMENT SYSTEMS

Optimized Air Flow Fans

Are you interested in fans?: Yes No

Describe existing fans: HAF VAF Other _____

